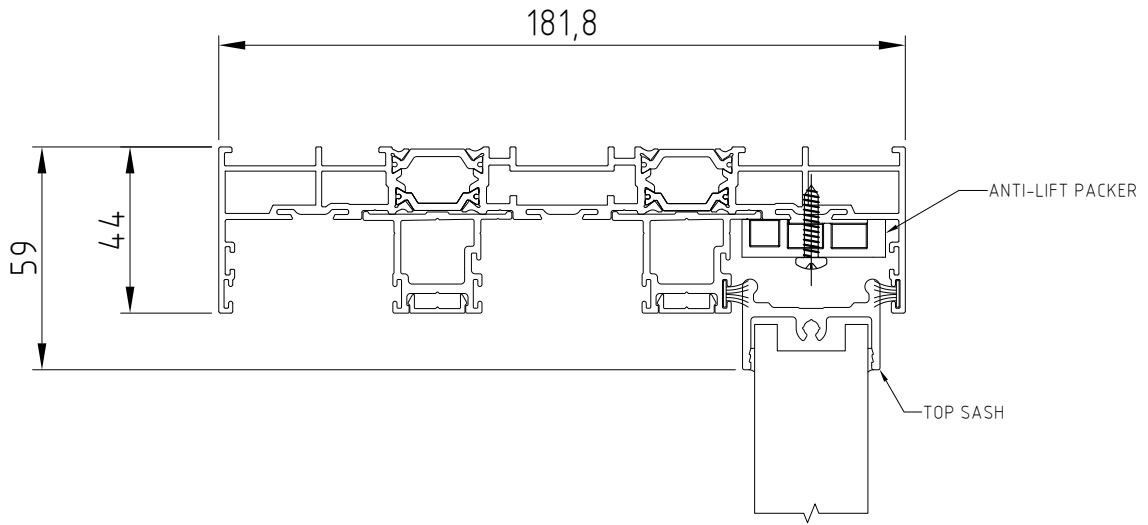


SLIDER DETAIL DRAWING

Sliding Panel to Triple Frame (Top Track) Detail



A
B
C
D
E

origin

www.origin-global.com TEL: 0845 450 6662

ORIGIN FRAMES LTD., Sands 10 Industrial Estate, Hillbottom Road, High Wycombe, Buckinghamshire, HP12 4HS

THIS INFORMATION AND DRAWING ARE THE COPYRIGHT OF ORIGIN FRAMES LIMITED. COPYRIGHT RESERVED BY THEM AND IS ISSUED ON THE CONDITION THAT IT IS NOT COPIED OR DISCLOSED BY OR TO ANY UNAUTHORISED PERSONS WITHOUT PRIOR CONSENT OF ORIGIN FRAMES LIMITED.

ALL DIMENSIONS IN mm. DO NOT SCALE.

SCALE		DOCUMENT TYPE		PROJECTION	SHEET SIZE	DRAWING TITLE			
1:2		PART DRAWING			A4	Sliding Panel to Triple Frame (Top Track) Detail			
SURFACE FINISH		MATERIAL							
--		--							
DRAWN	DATE	SIGNATURE		PART NO.					
RK	25/04/2017			--					
THIS DRAWING CONFORMS TO		GENERAL TOLERANCE		CHECKED	DATE	SIGNATURE		DRAWING NO.	
BS 8888:2013		LINEAR: ± --		CW	25/04/2017			0000721	
TOLERANCING		ANGULAR: ± --		APPROVED	DATE	SIGNATURE		REVISION	SHEET
ISO 8015:2011		ANGULAR: ± --		MZ	25/04/2017			A	1 OF 1

F