

1

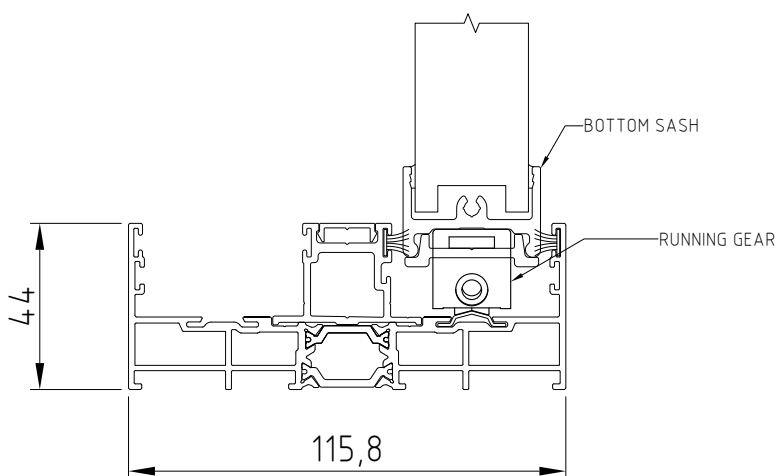
2

3

4

SLIDER DETAIL DRAWING

Sliding Panel to Double Frame (Bottom Track) Detail



origin

www.origin-global.com TEL: 0845 450 6662

ORIGIN FRAMES LTD., Sands 10 Industrial Estate,
Hillbottom Road, High Wycombe, Buckinghamshire, HP12 4HS

THIS INFORMATION AND DRAWING ARE THE COPYRIGHT OF ORIGIN FRAMES LIMITED. COPYRIGHT RESERVED BY THEM AND IS ISSUED ON THE CONDITION THAT IT IS NOT COPIED OR DISCLOSED BY OR TO ANY UNAUTHORISED PERSONS WITHOUT PRIOR CONSENT OF ORIGIN FRAMES LIMITED.

ALL DIMENSIONS IN mm. DO NOT SCALE.

| SCALE | | DOCUMENT TYPE | | PROJECTION | SHEET SIZE | DRAWING TITLE | | |
|--------------------------|------------|-------------------|------------|------------|------------|---|--------|-------------|
| 1:2 | | PART DRAWING | | | A4 | Sliding Panel to Double Frame (Bottom Track) Detail | | |
| SURFACE FINISH | | MATERIAL | | | | | | |
| -- | | -- | | | | | | |
| DRAWN | DATE | SIGNATURE | | PART NO. | | | | |
| RK | 25/04/2017 | | | -- | | | | |
| THIS DRAWING CONFORMS TO | | GENERAL TOLERANCE | | CHECKED | DATE | SIGNATURE | | DRAWING NO. |
| BS 8888:2013 | | LINEAR: ± -- | | CW | 25/04/2017 | | | 0000716 |
| TOLERANCING | | APPROVED | DATE | SIGNATURE | | REVISION | SHEET | |
| ISO 8015:2011 | | MZ | 25/04/2017 | | | A | 1 OF 1 | |