

1

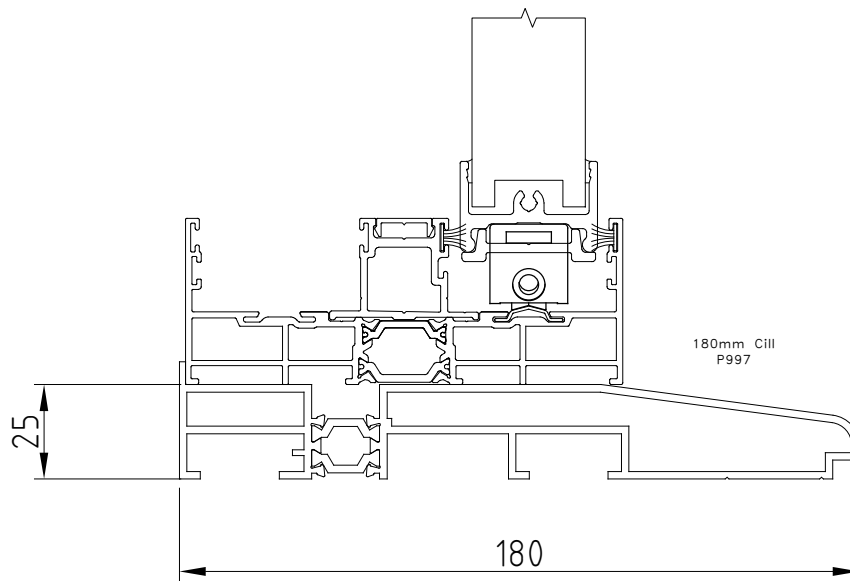
2

3

4

# SLIDER DETAIL DRAWING

Double Frame (Bottom Track) 180mm Cill Detail



# origin

www.origin-global.com TEL: 0845 450 6662

ORIGIN FRAMES LTD., Sands 10 Industrial Estate,  
Hillbottom Road, High Wycombe, Buckinghamshire, HP12 4HS

THIS INFORMATION AND DRAWING ARE THE COPYRIGHT OF ORIGIN FRAMES LIMITED. COPYRIGHT RESERVED BY THEM AND IS ISSUED ON THE CONDITION THAT IT IS NOT COPIED OR DISCLOSED BY OR TO ANY UNAUTHORISED PERSONS WITHOUT PRIOR CONSENT OF ORIGIN FRAMES LIMITED.

ALL DIMENSIONS IN mm. DO NOT SCALE.

SCALE	DOCUMENT TYPE
1:2	PART DRAWING

PROJECTION	SHEET SIZE	DRAWING TITLE
	A4	Double Frame Cill Detail 180mm

SURFACE FINISH	MATERIAL
--	--

DRAWN	DATE	SIGNATURE	PART NO.
DF	05/09/2018		--

THIS DRAWING CONFORMS TO	GENERAL TOLERANCE	CHECKED	DATE	SIGNATURE	DRAWING NO.
BS 8888:2013	LINEAR: $\pm$ --	--	05/09/2018		*****
TOLERANCING	ANGULAR: $\pm$ --	APPROVED	DATE	SIGNATURE	REVISION
ISO 8015:2011		--			1

1 OF 1